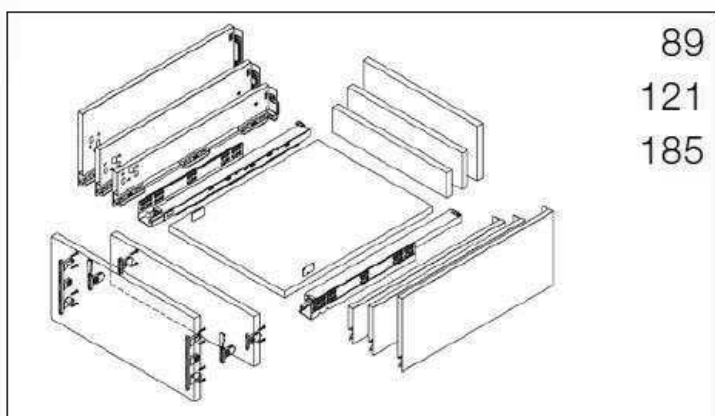


vision top slim box push open program

medidas cajón mecanizado

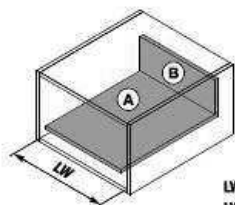
89 mm - 121 mm - 185 mm

SYSKOR
kitchen & home fittings



89
121
185

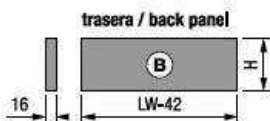
MEDIDAS DE FONDO Y TRASERA BOTTOM & BACK PANELS MEASURES



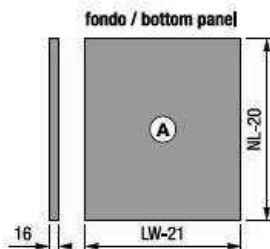
Longitud nominal Nominal length	Longitud interior lateral de cajón Internal drawer length	Profundidad mínima módulo Min installation length of drawer
270mm	244mm	275mm
300mm	274mm	305mm
350mm	324mm	355mm
400mm	374mm	405mm
450mm	424mm	455mm
500mm	474mm	505mm
550mm	524mm	555mm

LW = anchura interior del módulo
LW = inner width of cabinet

NL = longitud nominal
NL = nominal length



cajón / drawer	H
89	59 mm
121	91 mm
185	155 mm



LW = anchura interior del módulo
LW = inner width of cabinet

NL = longitud nominal
NL = nominal length

LT = profundidad interior módulo
LT = internal cabinet depth

